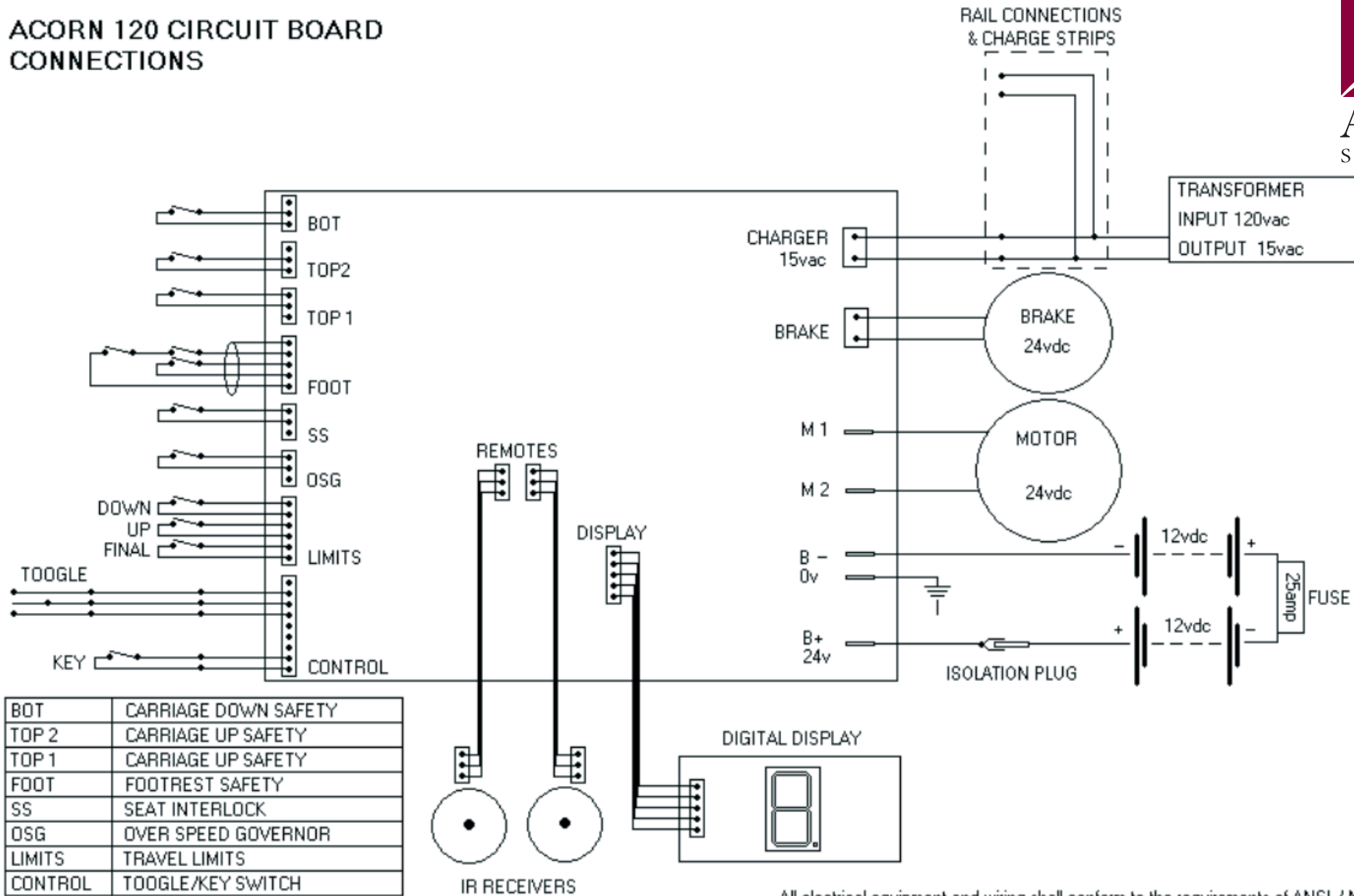


# ACORN 120 CIRCUIT BOARD CONNECTIONS



All electrical equipment and wiring shall conform to the requirements of ANSI / NFPA 70